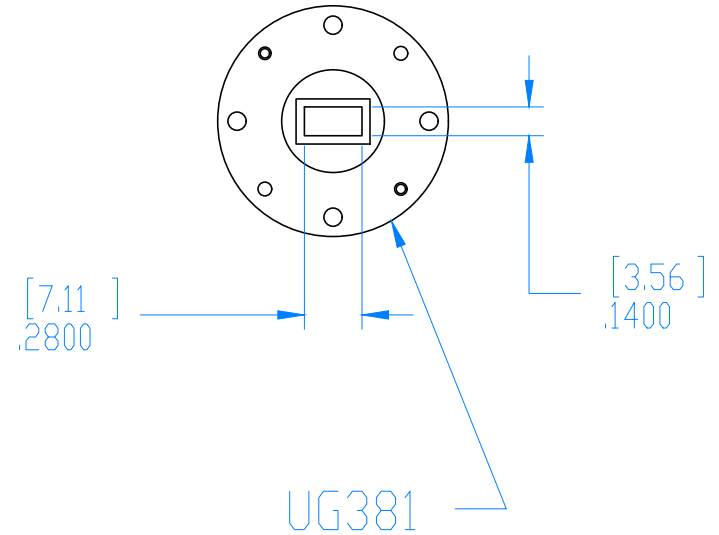
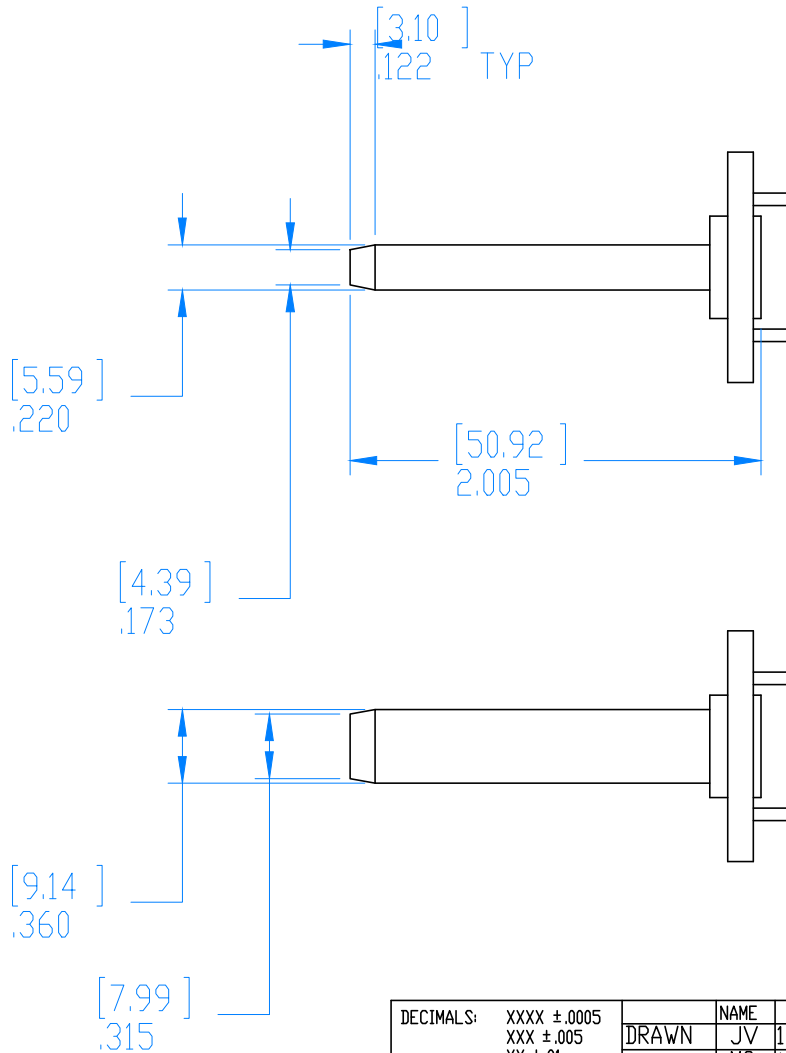
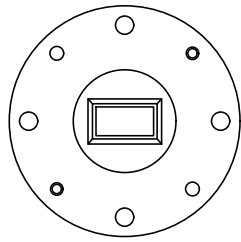
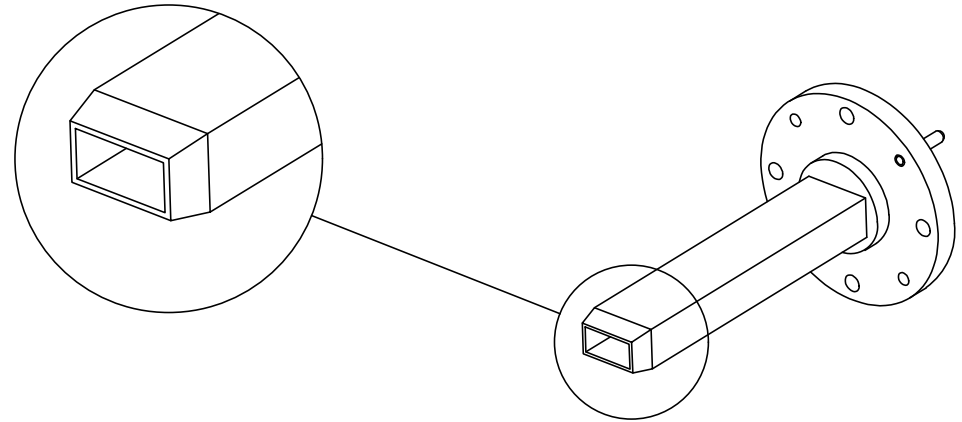


REVISIONS			
REV	DESCRIPTION	DATE	APPROVED
-	-	-	-

DETAIL A
SCALE 2 : 1



DECIMALS: XXXX ±.0005 XXX ±.005 XX ±.01	DRAWN	JV	10-19-18
ANGLES: ± .5 DEGRESS	CHECKED	MS	10-19-18
THIRD ANGLE PROJECTION	ENG	MS	10-19-18
	MATL:	1/2 HARD BRASS	

TITLE: Millimeter Wave Products Inc.		REV	-
SIZE	DWG. NO.	WR-28 PROBE OUTLINE	
A			
SCALE: 1:1	WEIGHT:	SHEET 1 OF 1	